

DS86/87 ToF Camera Specification



Table of Contents

1	General Information	4
1.1	Terms of Use.....	4
2	Precautions	5
2.1	Safe Usage Instructions	5
2.2	Power.....	5
2.3	Usage	5
2.4	Temperature	6
3	Specifications and Requirement	7
3.1	General Specifications.....	7
3.2	Electrical Specifications	8
3.2.1	Recommended Operating Conditions.....	8
3.2.2	Power Consumption	8
3.2.3	Absolute Maximum Ratings	8
3.3	DS86 Dimension	9
3.4	DS87 Dimension	10
3.5	Optical Specifications.....	11
3.5.1	Field of View	11
3.5.2	laser and lens FOV structure dimensions	11
3.6	Working Condition Requirements	12
3.6.1	Hardware Requirements	12
3.6.2	Software Requirements.....	12
3.6.3	Environmental Requirements	13
3.6.4	Coordinate of the Camera System	13
4	Interface with Host	14
4.1	DS86 Interface.....	14
4.2	DS87 Interface.....	15
4.3	LED Indication	16
5	Installation	17
5.1	Hardware Installation	17
5.1.1	DS86 Installation Steps	17
5.1.2	DS87 Installation Steps	17
5.1.3	POE Mode Installation (DS87).....	18
5.2	ScepterSDK	18
5.2.1	FrameViewer(OpenCVSample).....	18
5.3	ScepterGUITool.....	18
5.4	Default IP address.....	19
5.5	DHCP to obtain IP	19
5.6	Firmware Upgrade.....	19
6	Features.....	20
6.1	Hardware Trigger Mode	20
6.2	Software Slave Trigger Mode.....	21
6.3	Exposure Time Configuration	21
6.3.1	Auto Exposure	21
6.3.2	Manual Exposure.....	22
6.4	Data Filtering.....	22
6.5	IR Image	22

6.6 HDR Mode	22
6.7 RGBD Map.....	23
6.7.1 ColorImgToDepthSensor	23
6.7.2 DepthImgToColorSensor	23
7 DS86/87 Accessories and Package	24
8 Appendix.....	26
8.1 RoHS Compliance	26
8.2 Laser Specification	26
8.3 Manufacturer & Factory	26
8.4 Maintenance Information	27
8.5 FCC Statement.....	27
9 Revision History	28

1 General Information

The purpose of this document is to familiarize the customer with the correct operation of the ToF DS86/87 products. This document provides important information about the camera's features, hardware specification, safe use of the camera, and installation procedures.

Model	Enclosure Rating	PoE+	RGB
DS86	IP42	No	Yes
DS87	IP67	Yes	Yes

DS86 can only be powered by DC power and IP42 rating.

While DS87 can be powered either by DC power or Power over Ethernet, and IP67 rating enclosure to resist dust and water.

1.1 Terms of Use

We offers a 1-year-warranty for the DS86/87 products.

Warranty Information

Please do follow the guidelines below when using the ToF camera.

Do not remove the product's serial number label

Warranty will be void, if the label is damaged or removed and the serial number can't be read from the camera's registers.

Do not disassemble the product housing

Do not disassemble the housing. Touching any internal components may damage the products.

Prevent any objects or substances from entering the product housing, otherwise the product may fail or damaged.

Avoid electromagnetic areas

Do not use the camera near strong electromagnetic areas. Prevent the product from electrostatic charging.

Transport in original packaging

Transport and store the camera in its original packaging only. Suggest not to discard the packaging.

Clean with care

If you have to clean the housing of the camera, follow the guidelines in the notice as below:



- Use a soft, dry cloth that won't generate static during cleaning;
- To remove tough stains, use a soft cloth dampened with a small amount of neutral detergent (Pure water or alcohol), after that wipe dry;
- Make sure no any residual detergent after cleaning, before reconnecting the camera to power.

Read the manual

Do read the manual carefully before using the camera.

2 Precautions

2.1 Safe Usage Instructions

	DANGER
	<p>Electric Shock Risk</p> <p>Non-standard and improper power supplies may result in fire and electric shock. You must confirm the camera power supply used that meets the absolute specification of voltage and current.</p>
	CAUTION
	<p>Invisible Radiation</p> <p>This camera uses laser to work, improper use may damage the eye. Lasers are classified as Class 1 laser product according to IEC 60825-1: 2014 which means that the product presents no risk related to exposure limits under normal usage conditions. Eye safety is only guaranteed when the camera is used properly.</p>

2.2 Power

DS86 can only work with external DC power;

DS87 can work with either Power over Ethernet or external DC power.

The DC power can accept 9V~26V power source. For higher than 28V or lower than 9V, the device shall not work well or even be damaged.

For PoE power source, the PSE device shall apply the PoE+ standard (802.3at) or above, lower than that may cause the product doesn't work well or even be damaged.

We doesn't produce PoE injector, but we can purchase it from 3rd party and ship to customer at original cost. Below is the PoE+ injector available vendor list.

Vendor	Model Number
H3C	EWPAM2NPOE+
TP LINK	TL-PoE+170S

2.3 Usage

1. Don't try to open the camera housing. Each camera has been calibrated at the factory to achieve precise measurements. Touching internal components may damage the camera and cause calibration data lost.

2. Incorrect plugging in and unplugging of the camera's power cable can damage the camera. To avoid

switch-on surges damaging the camera, please plug in the power cable into the camera's power connector firstly before getting power source on.

3. Don't try to change the position of the lens, may cause damage to the camera.
4. Do store the camera carefully when not in use, in original package the best.

2.4 Temperature

To avoid damaging the camera and to achieve best performance, please observe the maximum and minimum housing temperatures in Section 3.1

3 Specifications and Requirement

3.1 General Specifications

Specification	DS86	DS87
Technology	ToF (Time-of-flight) Depth Camera	
Depth Sensor Resolution and Frame rate	640 x 480@15FPS	
ToF HDR Mode	Supported with Max. 10fps	
Depth Sensor Field of View	H-67° V-50°	
RGB Sensor Resolution and Frame rate	1600*1200@15fps	
RGB Sensor Field of View	H-70° V-50°	
Output Formats	16bit (Depth) + 8bit (IR) + JPEG (RGB)	
Use Range	0.15m ~ 5m*	
Accuracy	<1%*	
Power Consumption	Average Max. 7W(Ref)	
Illumination	940nm, 2 x 10W Optical Power VCSEL	
Dimension(L*H*W)	125mm*50mm*34.5mm	131.3mm*50mm*44.5mm
Weight	256g	326g
Power Supply	DC power	PoE+ or DC power
Interface	Gigabit Ethernet	
Digital I/O(Synchronization)	1in, Passive Sync Signal	
Enclosure Rating	IP42	IP67
Working/Storage Temperature	-20°C-50°C/-30°C-70°C	
Software	C/C++ /Python/C #/ROS1/ROS2	
Operation System	Windows 7/8/10/11, Linux, Arm Linux	
Cooling	Passive, no fan	
Certification	FCC/CE/FDA	
Technology	Class 1	

*Accuracy error and Use Range vary with the reflectivity of the measured object

3.2 Electrical Specifications

3.2.1 Recommended Operating Conditions

Parameter	Symbol	Min	Typ.	Max	Units
DC Power	VDD	9	12	26	V
Digital I/O (Ext_Trigger)	Vin	3.3		24	V
Operating Temperature	Ta	-20		50	°C
Storage temperature		-30		70	°C
Operating humidity		20		80	%
Storage humidity		20		80	%

3.2.2 Power Consumption

Parameter	Model	Conditions	Average	Max	Units
Active Mode	DS86/87	HDR 5fps@4000μs	550	1600	mA
Broadcast Mode	DS86/87		110	114	mA

Note: 12V input voltage

3.2.3 Absolute Maximum Ratings

This is a stress rating only and functional operation of the devices at those or any other conditions above those indicated in the operation listings of this specification is not promised. Exposure to maximum rating conditions for extended periods may affect device reliability.

Parameter	Symbol	Min	Typ.	Max	Units
DC Power	VDD	9	12	28	V
Digital I/O (Ext_Trigger)	Vin	-0.3		24	V
Operating Temperature	Ta	-20		50	°C

3.3 DS86 Dimension

This drawing contains information about the dimensions and user mounting location of DS86.

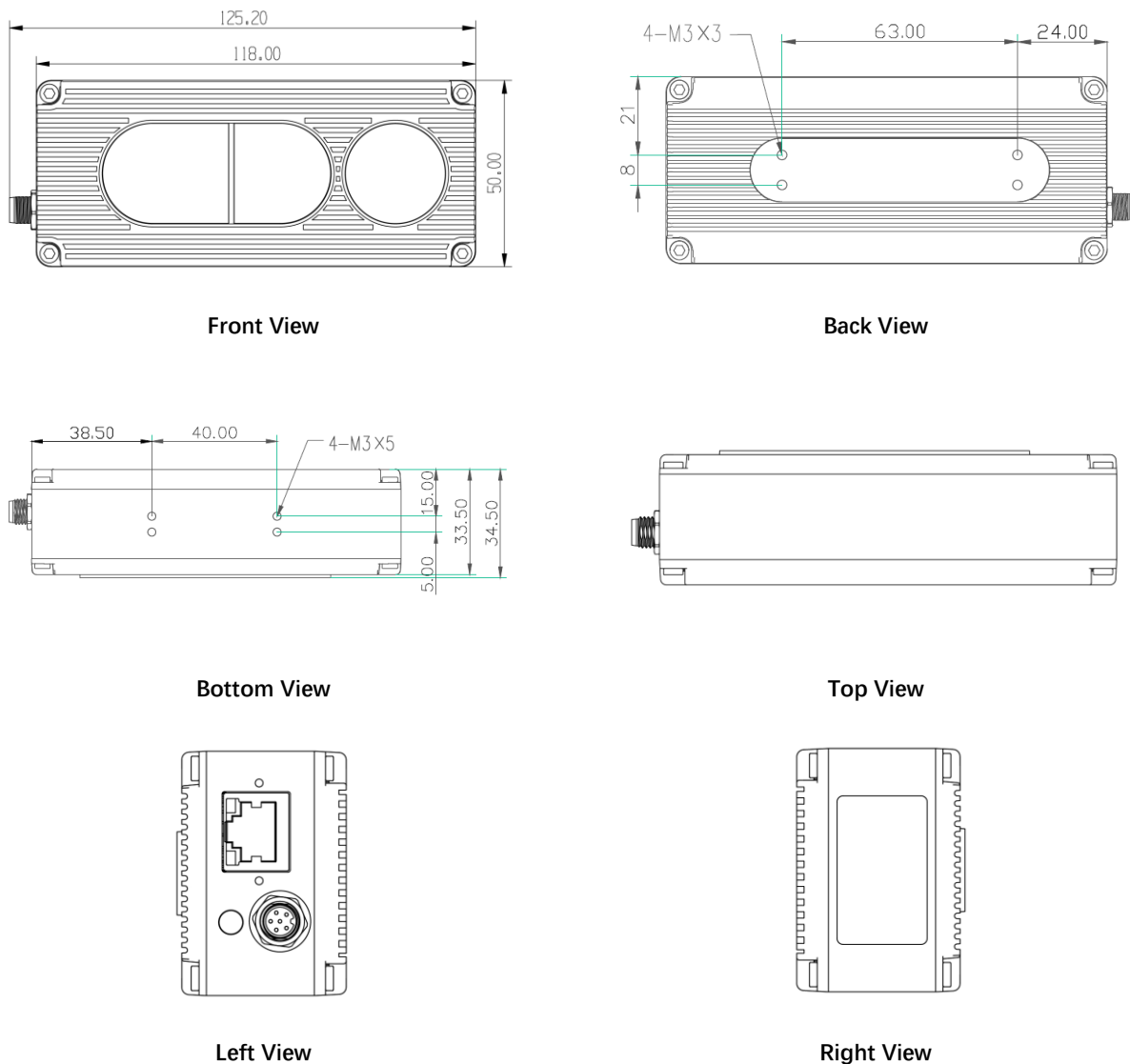


Fig. 3.1: ToF Camera Dimensions (Unit: mm)

3.4 DS87 Dimension

This drawing contains information about the dimensions and user mounting location of DS87.

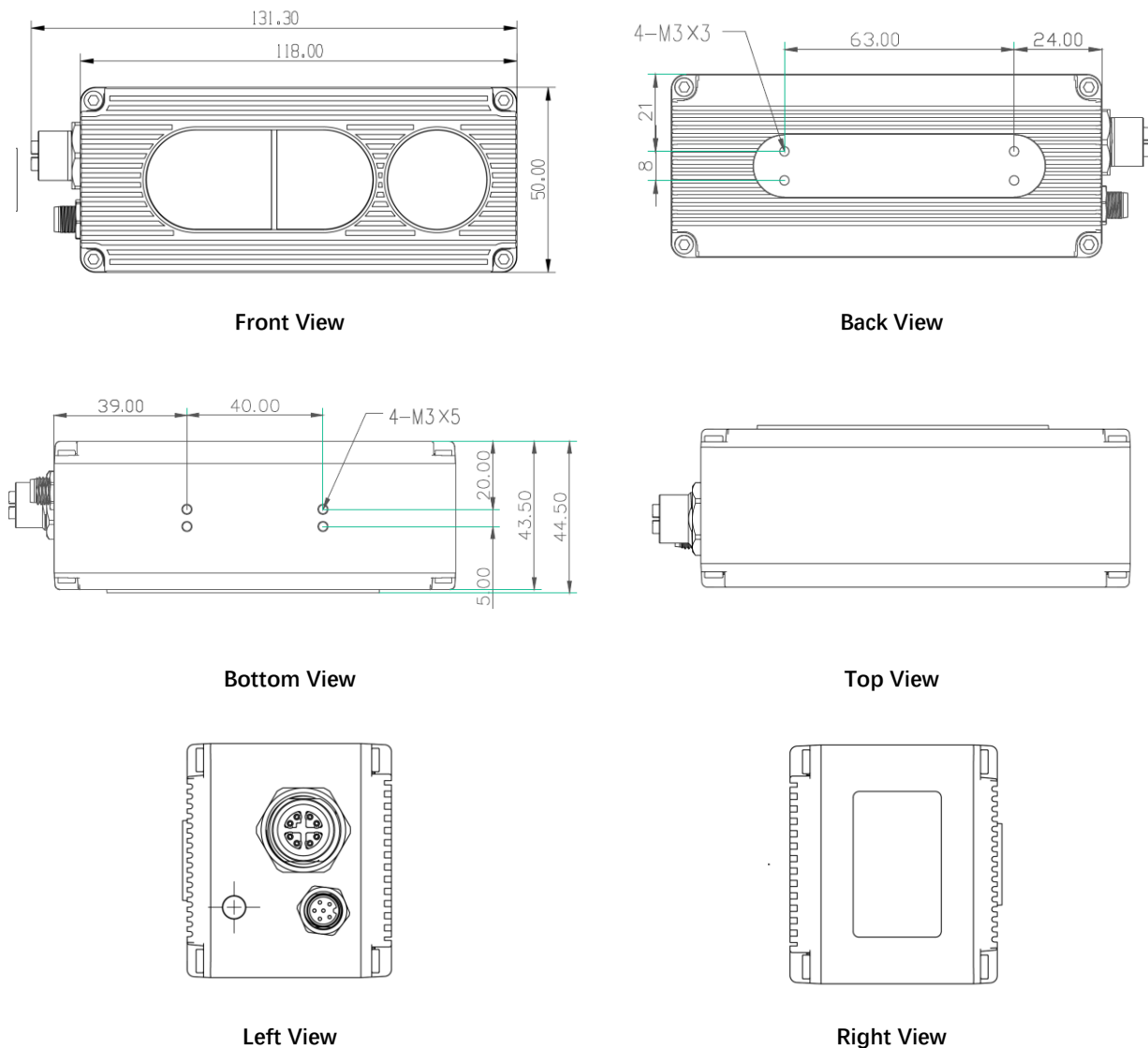
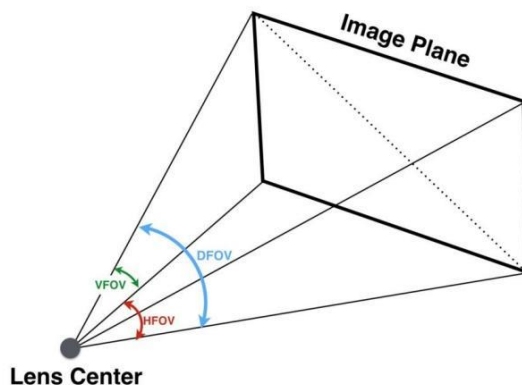


Fig. 3.2: ToF Camera Dimensions (Unit: mm)

3.5 Optical Specifications

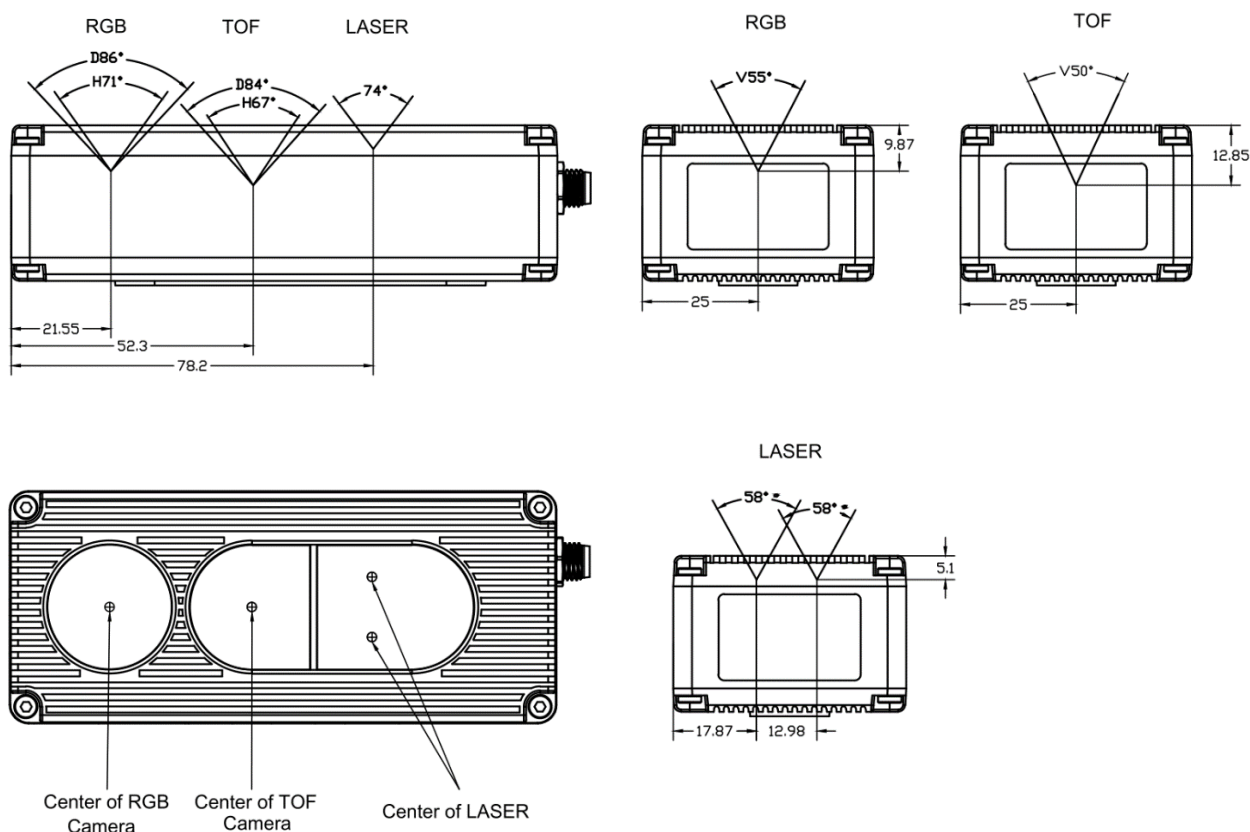
3.5.1 Field of View



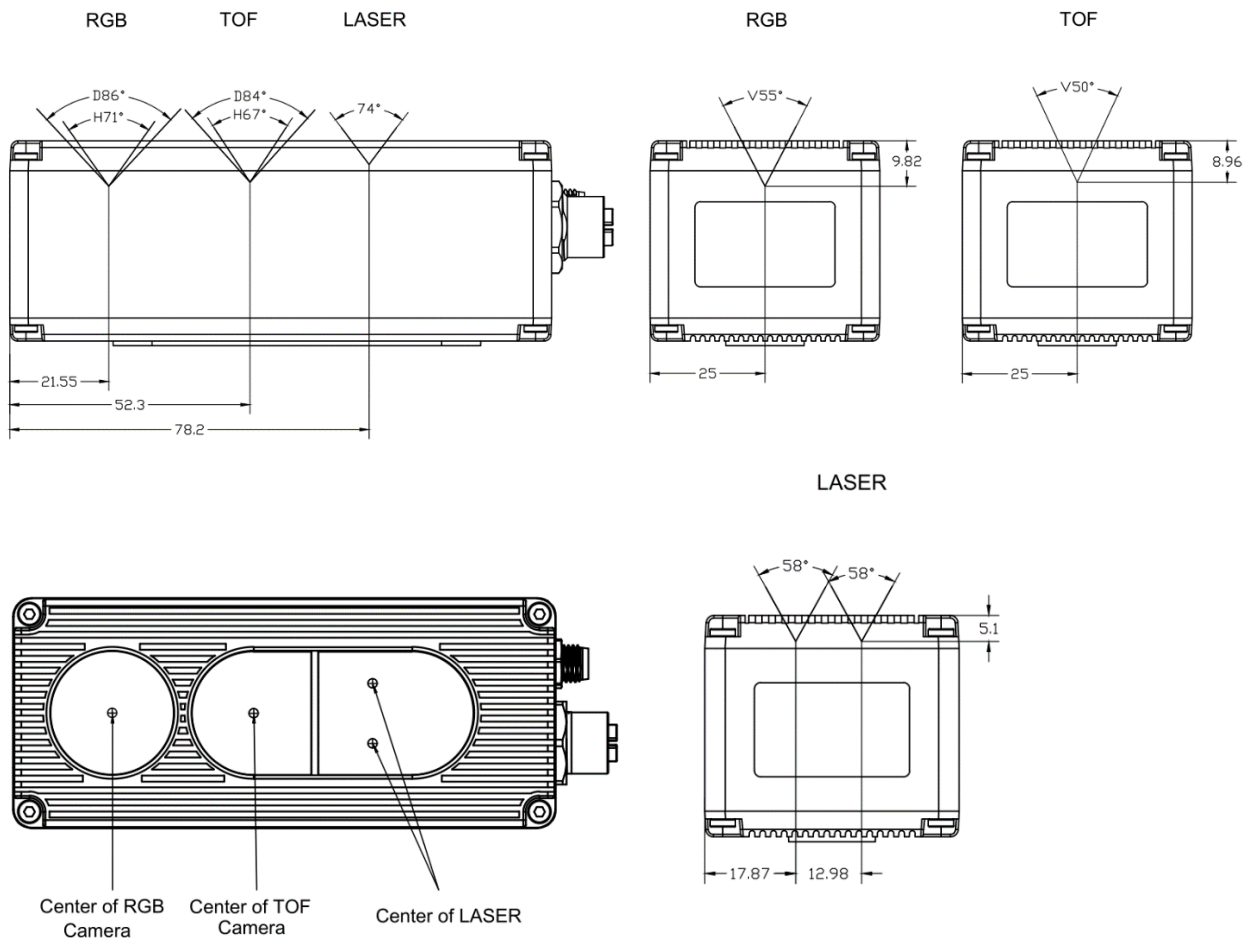
The field of view refers to the view angle of the ToF products. The ToF sensor's aspect ratio is 4:3, typically the horizontal field of view is larger than the vertical field of view. The typical field of view of DS86/87 is H-67° and V-50°.

3.5.2 laser and lens FOV structure dimensions

- 1) The following figure shows the structural dimensions of the FOV of laser, ToF lens, and RGB lens of the DS86.



- 2) The following figure shows the structural dimensions of the FOV of laser, ToF lens, and RGB lens of the DS87.



3.6 Working Condition Requirements

3.6.1 Hardware Requirements

DS86:

- CAT5e Ethernet cable (CAT6 Included in package)
- M8 A CODE Multiple Functional cable (Included in package)

DS87:

- M12 X CODE CAT6a Ethernet cable (Included in package)
- M8 A CODE Multiple Functional cable (Included in package)

Or

- PoE+ Power Supplier (Not included in package)

3.6.2 Software Requirements

Operating system:

- 32-bit Windows 7/10/11
- 64-bit Windows 7/10 (recommended)/11
- Linux (x86, x64)

3.6.3 Environmental Requirements

Housing temperature during operation:	-20–50 °C
Humidity during operation:	20–80 %, relative
Storage temperature:	-30–70 °C
Storage humidity:	20–80 %, relative

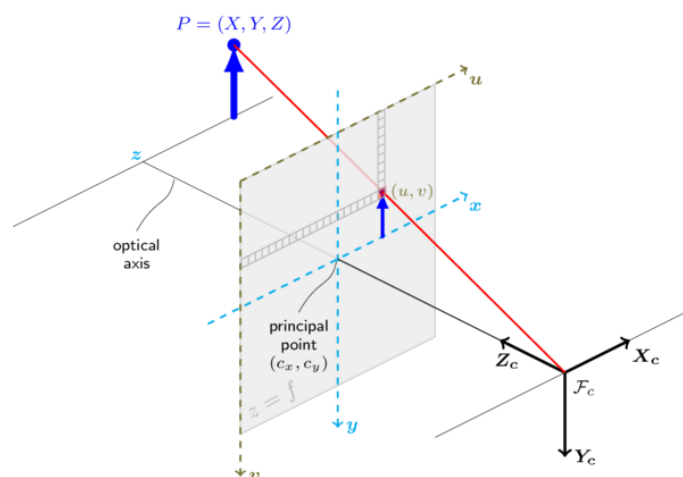
3.6.4 Coordinate of the Camera System

There are two coordinate system need to be understood, one is camera coordinate system (CCS), one is world coordinate system (WCS).

CCS: CCS describe the two-dimensional data, the origin of coordinates is the optic center.

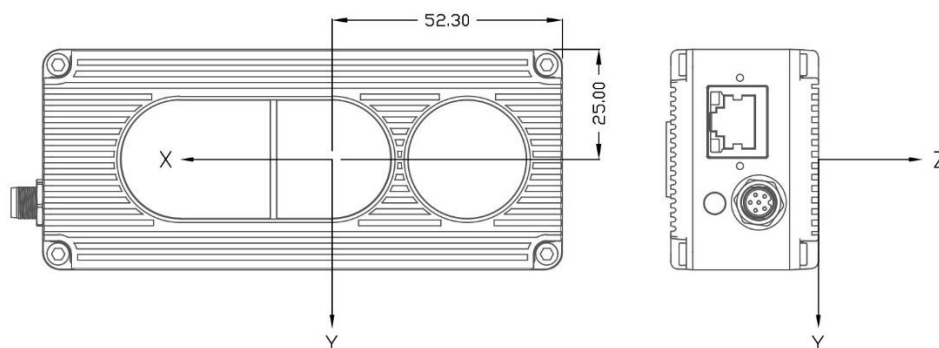
WCS: WCS describe the three-dimensional information.

The CCS data can switch to the WCS data using the camera internal parameters.



The origin of the coordinate system is defined as the below figure shows:

1. X coordinate locates 25mm from the top edge of the camera.
2. Y coordinate locates 52.3mm from the right edge of the camera.
3. Z coordinate is zero offset at the front of the surface of lens.

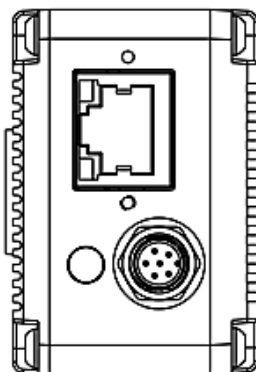


MeshLab and CloudCompare tools are recommended to analyze the point cloud data saved by ScepterGUITool or ScepterSDK.

4 Interface with Host

4.1 DS86 Interface

DS86 is equipped with RJ45, M8 A CODE Multiple Functional Interface as shown in below figure. For more information about pin assignments and connector types, see the following sections.



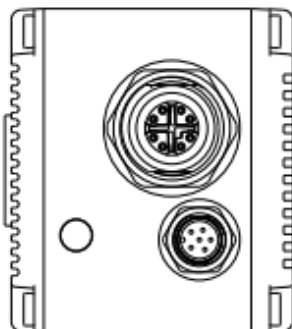
M8 A CODE Multiple Functional Interface

	Pin	Line Color	Designation
	1	BLACK	GND
	2	RED	VCC
	3	WHITE	Ext_Trigger
	4	YELLOW	NC
	5	BLACK	GND
	6	BLUE	IP RESET
Pin	Designation	Direction	Description
1.5	GND	GND	GND
2	VCC	Power	DC 12-24V
3	Ext_Trigger	INPUT	External trigger input (3.3V-24V)
6	IP RESET	INPUT	Pull high (3.3V-24V) for 10 seconds then the IP is reset as 192.168.1.101.

4.2 DS87 Interface

DS87 is equipped with two aviation connectors (M12 X CODE and M8 A CODE) as shown in below figure. When connected to cables with IP67 protection, the product can achieve an IP67 level. When the device is powered by POE, installing an IP67 waterproof plug on the M8 A CODE Multiple Functional Interface allows the product to maintain an IP67 level.

For more information about pin assignments and connector types, see the following sections.



M8 A CODE Multiple Functional Interface

	Pin	Line Color	Designation
	1	BLACK	GND
	2	RED	VCC
	3	WHITE	Ext_Trigger
	4	YELLOW	NC
	5	BLACK	GND
	6	BLUE	IP RESET
Pin	Designation	Direction	Description
1.5	GND	GND	GND
2	VCC	Power	DC 12-24V
3	Ext_Trigger	INPUT	External trigger input (3.3V-24V)
6	IP RESET	INPUT	Pull high (3.3V-24V) for 10 seconds then the IP is reset as 192.168.1.101.

M12 X CODE Ethernet Interface

	Pin	Designation	Designation
	1	TX_D1+	Tranceive Data+
	2	TX_D1-	Tranceive Data-
	3	RX_D2+	Receive Data+
	4	RX_D2-	Receive Data-
	5	BI_D4+	Bi-directional Data+
	6	BI_D4-	Bi-directional Data-
	7	BI_D3-	Bi-directional Data-
	8	BI_D3+	Bi-directional Data+

4.3 LED Indication

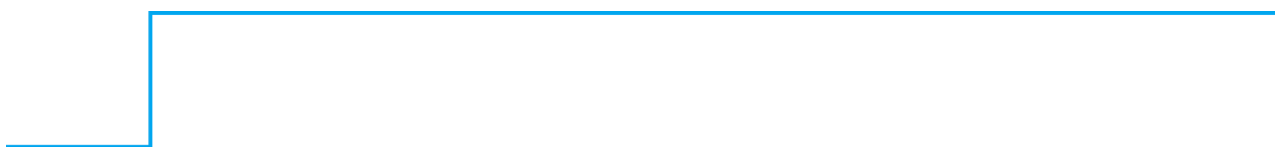
An LED at the back side of the camera indicates the camera status.

The LED animation table is shown as below:

1. Ethernet Broadcast, no connection established, BLUE LED blinking repeatedly.



2. Ethernet connection established, BLUE LED constantly on.



3. IP RESET, Press the IP RESET button for 5 seconds, PURPLE LED is on for 5 seconds and blink twice then the product reset itself.



4. Firmware Upgrade, RED LED is on until firmware upgrade finished.



5 Installation

5.1 Hardware Installation

You have read and understood the warnings listed under "Precautions" on Chapter 2;

To achieve reliable distance measurements, please follow below tips:

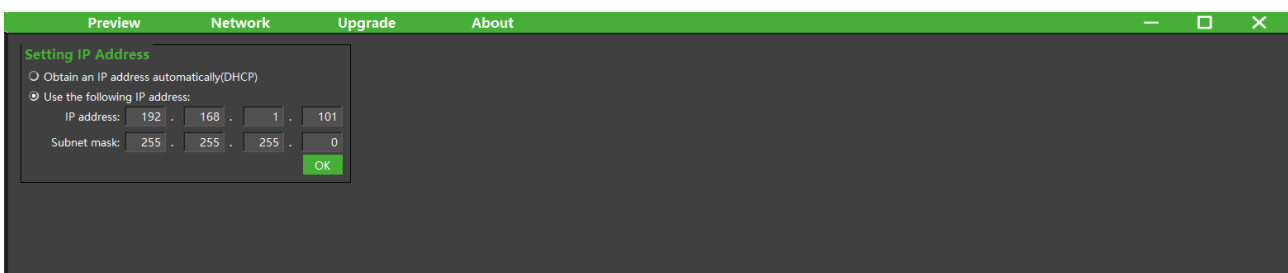
- Better not using the camera in strong sunlight. If have to, keep the ambient light below 100k Lux.
- Do NOT place any objects in the scene that are not part of your intended target, especially mirrors or other shiny surfaces/objects.
- Maintain a stable housing temperature during operation.
- Take measures to provide cooling to camera.
- Mount the camera robustly.
- All accessories are ready.

5.1.1 DS86 Installation Steps

DS86 product transmits the required data to host by Ethernet cable, and it doesn't support Power over Ethernet, so the power adaptor shall be used.

The steps are as below:

1. Mount the camera in an appropriate fixture, e.g., a camera bracket.
2. Connect the DS86 ToF camera to the host processor with the Ethernet cable.
3. Insert the DC connector of the power supply adaptor into the Multiple Functional Interface of the camera.
4. Connect the adaptor to power source.
5. Please do set the IP address of the camera and host PC in the same segment.
6. The default IP address of DS86 is 192.168.1.101, you can change the IP address by the ScepterGUITool. Please do read the document before reconfiguring the camera.



5.1.2 DS87 Installation Steps

The steps are as below:

1. Mount the camera in an appropriate fixture, e.g., a camera bracket.
2. Connect the DS87 ToF camera to the host processor with the M12 X CODE CAT6a Ethernet cable.
3. Insert the DC connector of the power supply adaptor into the Multiple Functional Interface of the camera.
4. Connect the adaptor to power source.
5. Please do set the IP address of the camera and host PC in the same segment.

6. The default IP address of DS87 is 192.168.1.101, you can change the IP address by the ScepterGUITool.

5.1.3 POE Mode Installation (DS87)

The steps are as below:

1. Mount the camera in an appropriate fixture, e.g., a camera bracket.
2. Plug one end of the Ethernet cable into the M12 X CODE CAT6a Ethernet Interface of the camera, and plug the RJ45 end into the Ethernet port of your PoE switch or PoE injector.
3. Connect the PoE switch or PoE injector to your host processor by Ethernet cable.
4. Connect the PoE switch or PoE injector to power source.

5.2 ScepterSDK

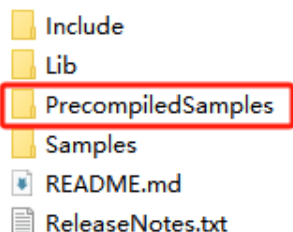
ScepterSDK is a cross platform software development kit. It can support DS86/87 and contains multiple versions on different operation systems, including Windows, Linux, Arm Linux, ROS, ROS2, Python, C# etc.

Download or clone SDK project from our GitHub:

<https://github.com/ScepterSW/ScepterSDK>

5.2.1 FrameViewer(OpenCVSample)

FrameViewer(OpenCVSample) is an open source application in SDK project that can guide user how to call the SDK APIs. It has a pre-build version app in PrecompiledSamples folder, the source code is in Samples/OpenCV folder. See the document for the details.



5.3 ScepterGUITool

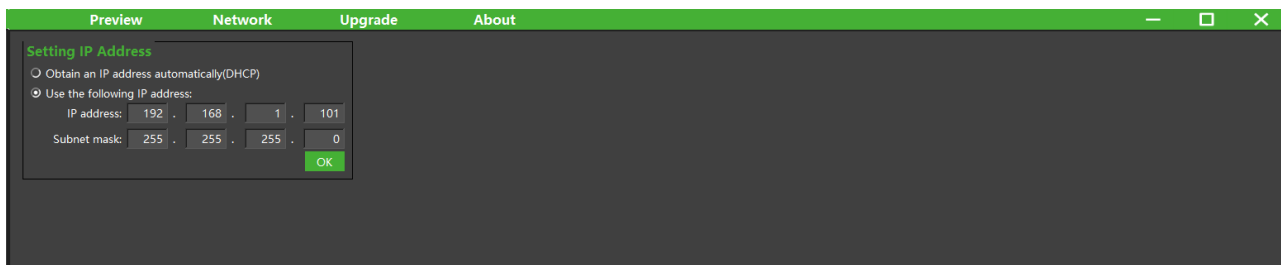
ScepterGUITool is a graphic tool on Windows and Ubuntu for DS86/87.

Download or clone ScepterGUITool from our GitHub:

<https://github.com/ScepterSW/ScepterGUITool>

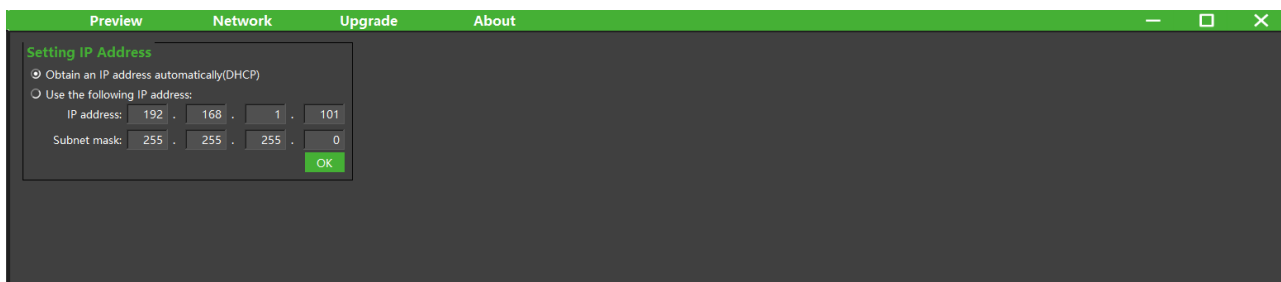
5.4 Default IP address

The default IP address of the DS86/87 is 192.168.1.101, if you want to set the IP with others or enable DHCP method, please use ScepterGUITool to change the default setting:



5.5 DHCP to obtain IP

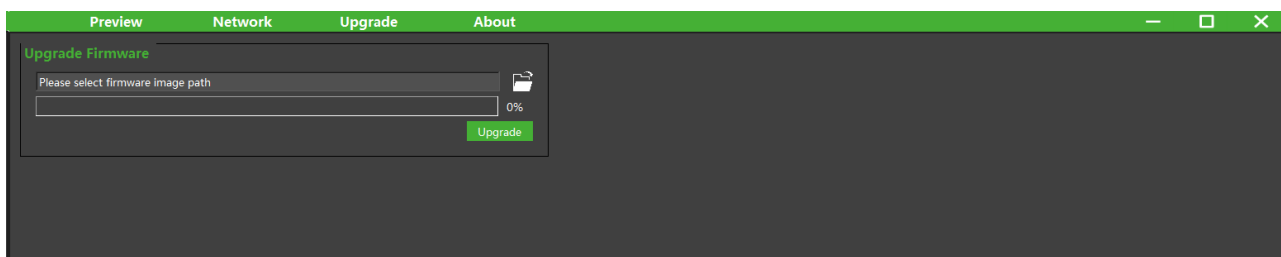
The product IP can be set to be obtained through DHCP, and the product needs to be connected to a server network that supports DHCP, such as a router:



5.6 Firmware Upgrade

The user can use ScepterGUITool to upgrade the firmware of the DS86/87:

1. Click "📁" and select the path where the firmware is located.
2. Click the "Upgrade" button and wait for the upgrade.
3. Progress bar to "100%" upgrade is complete, wait for the camera to reboot.



6 Features

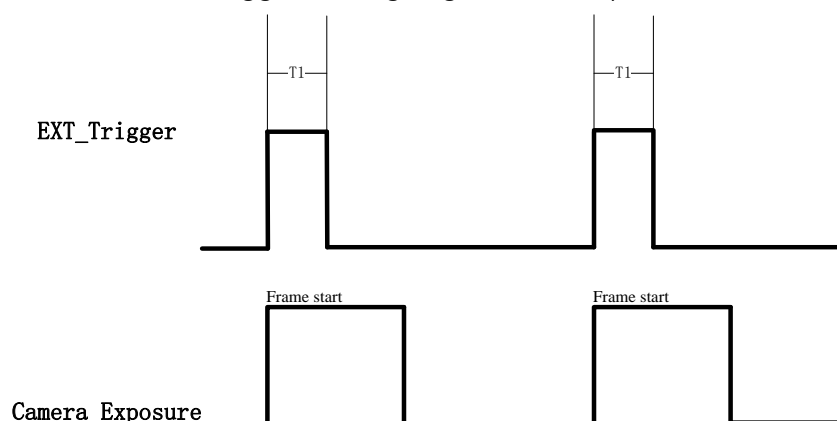
6.1 Hardware Trigger Mode

At Hardware slave trigger mode, DS86/87 products will wait for the hardware trigger signal on Ext_Trigger by default, and will not start a frame of exposure until a valid hardware trigger pulse is received on the Ext_Trigger pin. Once the exposure is over, the product goes back to waiting for the trigger.

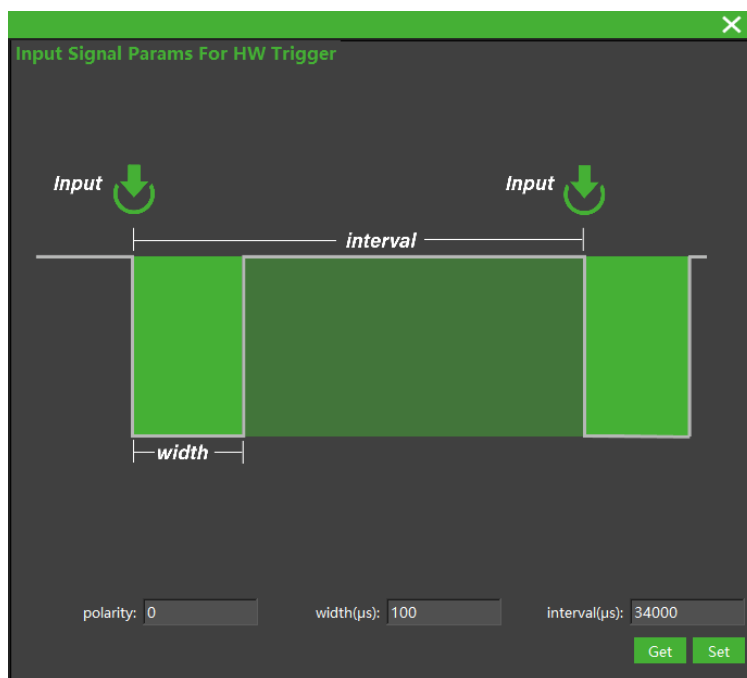
Step 1: set DS86/87 product as hardware slave trigger mode by a software API. Please refer to the sample code of DS86/87 hardware slave trigger mode.

Step 2: Feed the DS86/87 with a correct hardware trigger signal.

1. External input trigger signal voltage should range 3.3V-24V.
2. Driving current ability should be more than 5mA.
3. It is recommended to add a hardware debounce circuit on the Ext_Trigger line.
4. The requirement to T1 should be above 1ms.
5. By default, the hardware trigger is rising edge activated, please refer to the following figure:



You can configure the hard trigger signal parameters through ScepterGUITool. The signal parameters are configured on the Device Settings page, as shown in the following figure:



Input signal Params For HW Trigger:

- 1) polarity: signal validity detection polarity. 0 is active low and 1 is active high.
Value Range: [0, 1]
- 2) width: signal width validity detection, signal less than the width setting will not respond. 16-bit, in μs .
Value Range: [1, 65535]
- 3) interval: continuous signal interval validity detection, no response to signal less than interval setting.
Value Range: [34000, 65535]

6.2 Software Slave Trigger Mode

At software slave trigger mode, DS86/87 product outputs image only at every trigger API call.

Step 1: set DS86/87 product as software slave trigger mode by a software API.

Step 2: Call the API of software trigger to issue a frame start.

Please refer to the sample code of DS86/87 software slave trigger mode.

6.3 Exposure Time Configuration

6.3.1 Auto Exposure

At auto exposure mode, DS86/87 products can automatically set the exposure time, according to the environment around. Basically, the more near object, the lower the exposure time will be, it has maximum exposure time limitation. And the maximum exposure time depends on the frame rate, the lower frame rate, the bigger maximum exposure time.

Frame rate(fps)	Maximum exposure time(μs)
1-5	4000
6-10	2000
11-15	1300

6.3.2 Manual Exposure

The user can set DS86/87 product at manual exposure mode, with a fixed exposure time. The value of maximum exposure time depends on the frame rate.

Frame rate(fps)	Maximum exposure time(μ s)
1-5	4000
6-10	2000
11-15	1300

6.4 Data Filtering

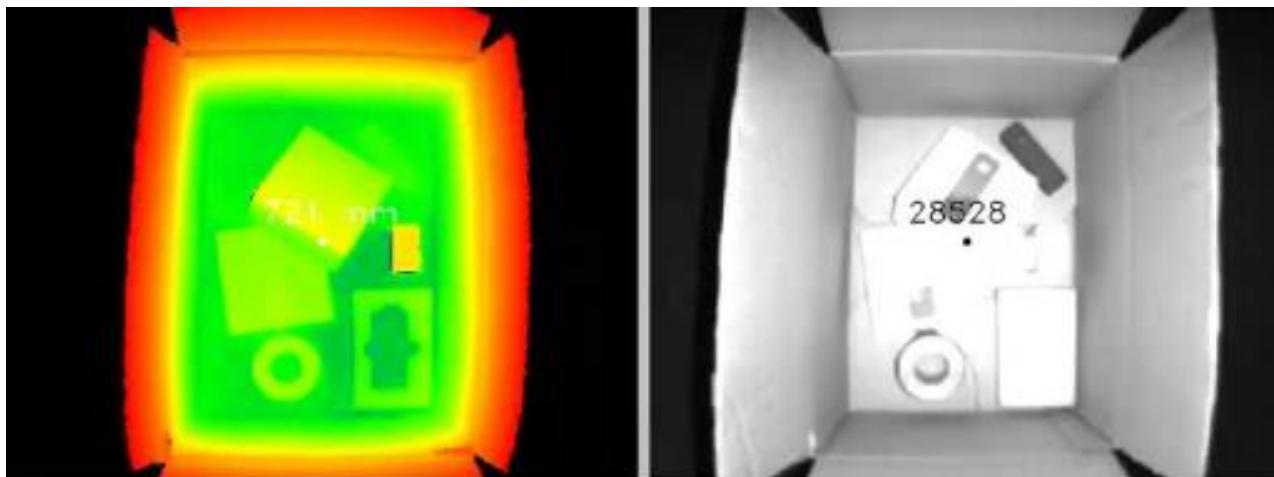
In the software SDK, we implemented data filtering to improve the depth data performance.

The filtering algorithm includes:

- FillHole
- Spatial Filter
- Time Filter
- Flying Pixel Filter
- Confidence Filter

6.5 IR Image

Besides the depth image, DS86/87 camera can also output a VGA resolution IR image. And the IR image is exactly timing synchronized with the depth image. Pixel to pixel mapping is also exactly aligned.



6.6 HDR Mode

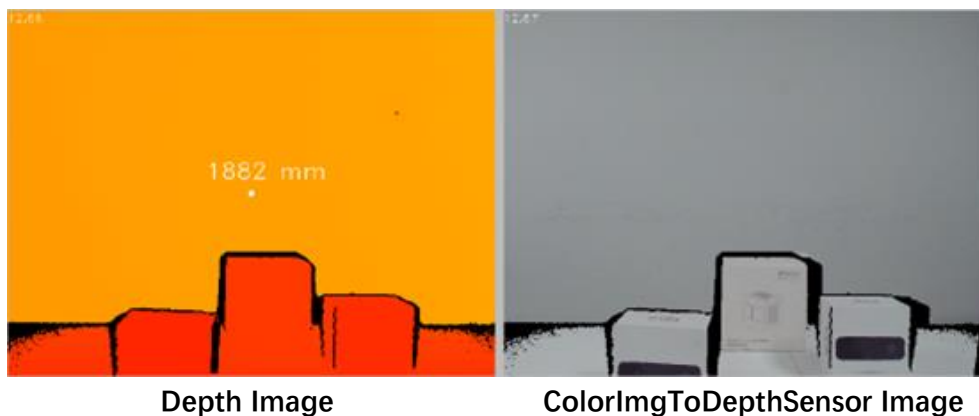
DS86/87 camera support HDR mode, High Dynamic Range (HDR) is used to achieve a larger exposure dynamic range than ordinary digital image technology. After the DS series camera turns on the HDR mode, for the overexposed area under the long exposure time, use the short exposure time to measure, and combine the two to obtain a more accurate depth image, reducing the impact of distance and object reflectivity on ToF imaging.

6.7 RGBD Map

DS86/87 camera support RGBD Map function.

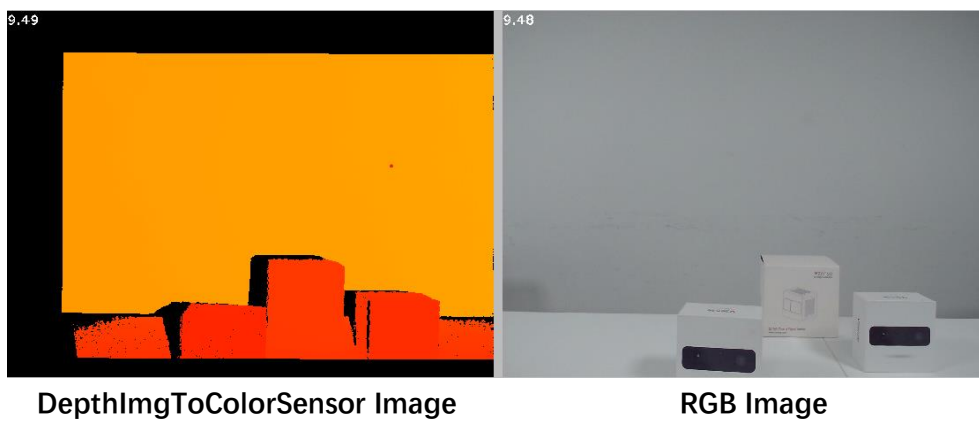
6.7.1 ColorImgToDepthSensor

RGB image map to Depth domain. When enabled, images with RGB pixels map to Depth pixel space are output and displayed, that is, RGB images corresponding to depth pixels one by one.



6.7.2 DepthImgToColorSensor

Depth image map to RGB domain. When enabled, the images with Depth pixels aligned to the RGB pixel space are output and displayed, that is, the depth image corresponding to RGB pixel one by one.



7 DS86/87 Accessories and Package

In package item list:

DS86

Part No.	Description	Picture																												
DS86	DS86 Depth Camera Module																													
314000309438	-CAT6 Ethernet Cable, 23AWG 4 Pair, Shielded Twisted Pair -Cord Length: 3m																													
314000309436	-M8 A CODE 6PIN Multiple Functional Cable -Cord Length: 2m <table border="1" data-bbox="368 1128 956 1435"> <thead> <tr> <th>No.</th> <th>Color</th> <th>Wire Gauge</th> <th>Signal</th> </tr> </thead> <tbody> <tr> <td>1</td> <td>BLACK</td> <td>22AWG</td> <td>GND(Power GND)</td> </tr> <tr> <td>2</td> <td>RED</td> <td>22AWG</td> <td>DC 12-24V</td> </tr> <tr> <td>3</td> <td>WHITE</td> <td>28AWG</td> <td>EXT_TRIGGER</td> </tr> <tr> <td>4</td> <td>YELLOW</td> <td>28AWG</td> <td>NC</td> </tr> <tr> <td>5</td> <td>BLACK</td> <td>28AWG</td> <td>GND(Signal GND)</td> </tr> <tr> <td>6</td> <td>BLUE</td> <td>28AWG</td> <td>IP RESET</td> </tr> </tbody> </table>	No.	Color	Wire Gauge	Signal	1	BLACK	22AWG	GND(Power GND)	2	RED	22AWG	DC 12-24V	3	WHITE	28AWG	EXT_TRIGGER	4	YELLOW	28AWG	NC	5	BLACK	28AWG	GND(Signal GND)	6	BLUE	28AWG	IP RESET	
No.	Color	Wire Gauge	Signal																											
1	BLACK	22AWG	GND(Power GND)																											
2	RED	22AWG	DC 12-24V																											
3	WHITE	28AWG	EXT_TRIGGER																											
4	YELLOW	28AWG	NC																											
5	BLACK	28AWG	GND(Signal GND)																											
6	BLUE	28AWG	IP RESET																											
UGDS86	DS86 User guide																													

DS87

Part No.	Description	Picture			
DS87	DS87 Depth Camera Module				
314000309437	-M12 X CODE CAT6a Ethernet Cable, 24AWG 4 Pair, shielded Twisted Pair -Aviation Connector to RJ45 -Cord Length: 3m				
314000309436	-M8 A CODE 6PIN Multiple Functional Cable				
	-Cord Length: 2m				
	No.		Color	Wire Gauge	Signal
	1		BLACK	22AWG	GND(Power GND)
	2		RED	22AWG	DC 12-24V
	3		WHITE	28AWG	EXT_TRIGGER
	4		YELLOW	28AWG	NC
5	BLACK	28AWG	GND(Signal GND)		
6	BLUE	28AWG	IP RESET		
UG DS87	DS87 User guide				

You can ask we to do customization to the cable for any reason, for example extending the cable length. Please do NOT use the accessories from other parts except our Company, otherwise warranty will void.

Optional item list:

Item	Component	Description	Quantity
1	H3C EWPAM2NPOE+	802.3at PoE Injector	1
2	TP LINK-PoE+170S	802.3at PoE Injector	1

Optional items need customer to pay for.

8 Appendix

8.1 RoHS Compliance

This product complies with the limits of Pb, Hg, Cd, Cr (VI), PBB, PBDE, DEHP, BBP, DBP, DIBP as set by RoHS Directive (EU)2015/863 amending Annex II to Directive 2011/65/EU.

8.2 Laser Specification



CAUTION

Use of controls or adjustments or performance of procedures other than those specified herein may result in hazardous radiation exposure.

Complies with 21 CFR 1040.10 and 1040.11 except for conformance with IEC 60825-1 Ed.

3., as described in Laser Notice No. 56, dated May 8, 2019.

The following Class1 laser label is located on the bottom of the sensor.



8.3 Manufacturer & Factory

Manufacturer

Qingdao MicroSense Intelligent Technology Co.,Ltd.

Address: Room 803, Floor 8, Building F, Innovation Park II, No. 1, Keyuan Wei 1st Road, Laoshan District, Qingdao, Shandong, China

Phone: +0532-58568782

Web Address: <https://www.vzense.com/>

Email: vzense@goermicro.com

Factory

Qingdao MicroSense Intelligent Technology Co.,Ltd.

Address: Room 803, Floor 8, Building F, Innovation Park II, No. 1, Keyuan Wei 1st Road, Laoshan District, Qingdao, Shandong, China

8.4 Maintenance Information

Private maintenance is forbidden, if the product occurs failure, please send it back to the original factory for maintenance.

8.5 FCC Statement



This equipment has been tested and found to comply with the limits for a Class A digital device, pursuant to part 15 of the FCC Rules. These limits are designed to provide reasonable protection against harmful interference when the equipment is operated in a commercial environment. This equipment generates, uses, and can radiate radio frequency energy and, if not installed and used in accordance with the instruction manual, may cause harmful interference to radio communications. Operation of this equipment in a residential area is likely to cause harmful interference in which case the user will be required to correct the interference at his own expense.

9 Revision History

Version	Description
1.0	Initial Version
1.1	Update product structure drawing and add relevant dimensions
1.2	Update product structure drawing dimensions
1.3	1. Modify the part of 2.1 Safe Usage Instruction. 2. Modify the part of 8.2 Laser Specification. 3.Add 8.3 Manufacturer & Factory and 8.4 Maintenance Information,
1.4	Add 3.5.2 Laser and lens FOV structure dimensions
1.5	1. Part of 3.1, modify the power of illumination 2. Part of 3.6.4, modify the camera coordinate system image
1.6	Modified the picture of network cable accessories for DS86 products